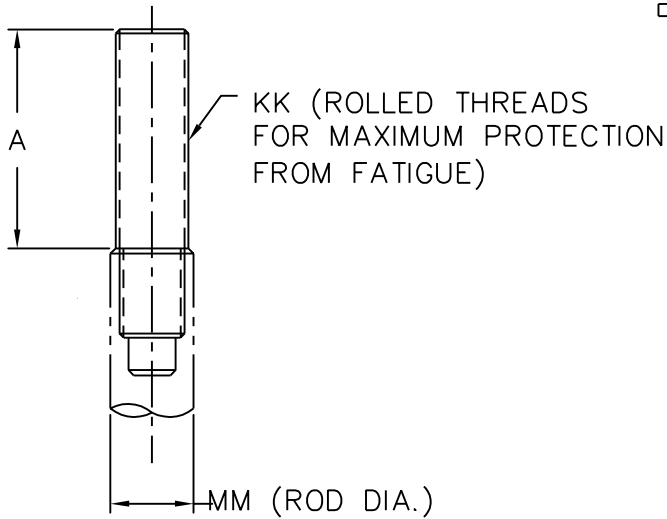


DOUBLE LENGTH ROD END STUD

SPARE PART

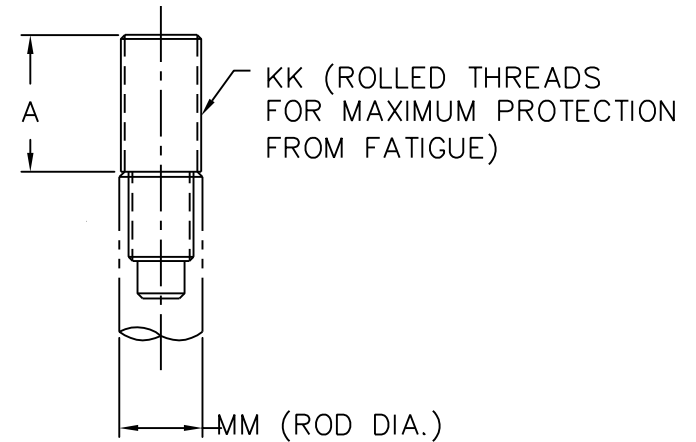


MATERIAL: HIGH STRENGTH STEEL

CYL. BORE	ORDER NO.	A	KK	MM
1.50	C1150-96E	1.50	1/2-20	.62
1.50	C1150-96EP	1.50	5/8-18	.62
1.50	C1150-96EG	1.50	7/16-20	.62
2.00	C1200-96E	2.25	3/4-16	.88
2.50	C1250-96E	2.25	3/4-16	1.00
3.25	C1250-96E	2.25	3/4-16	1.00
4.00	C1400-96E	3.25	1-14	1.25
5.00	C1400-96E	3.25	1-14	1.25
6.00	C1600-96E	4.00	1 1/4-12	1.75
8.00 10.00	C1800-96E	4.50	1 1/2-12	2.00

INTERMEDIATE MALE ROD END STUD

(NFPA STYLE IM)
SPARE PART



MATERIAL: HIGH STRENGTH STEEL

CYL. BORE	ORDER NO.	A	KK	MM
2.00	C1200-95I	1.12	7/8-14	.88
2.50	C1250-95I	1.12	7/8-14	1.00
3.25	C1250-95I	1.12	7/8-14	1.00
4.00	C1400-95I	1.62	1 1/4-12	1.25
5.00	C1400-95I	1.62	1 1/4-12	1.25



PENINSULAR® CYLINDER COMPANY

27650 Groesbeck Highway Roseville Michigan 48066-2759 Telephone: 586-775-7211 Fax: 586-775-4545
Toll Free: 800-526-7968 Internet: <http://www.peninsularcylinders.com> Email: sales@peninsularcylinders.com

REV. 14 JAN 2003

