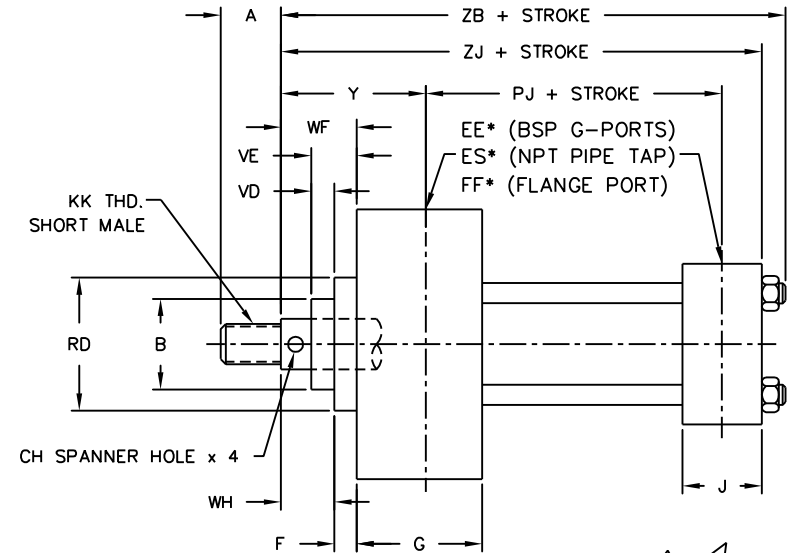
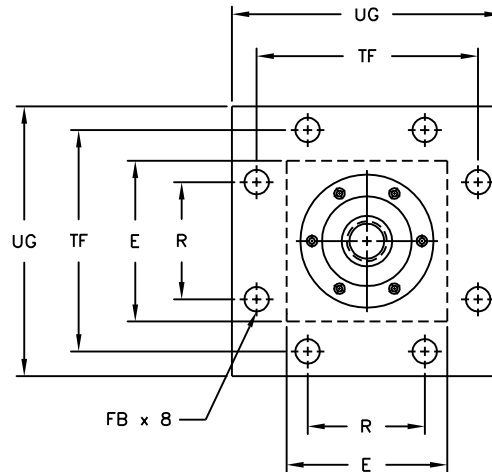


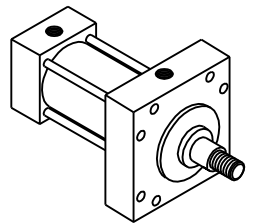
HEAD SQUARE BLOCK FLANGE PENINSULAR® CYLINDER COMPANY

METRIC HIGH PRESSURE HYDRAULIC CYLINDER
LARGE BORE SERIES – ISO 6020-3
WORKING PRESSURE – 160 BAR (2320 PSI)
RATED PRESSURE – 250 BAR (3625 PSI)

NOTE:
FOR OTHER ROD END THREADS, REFER TO THE HOW TO ORDER SERIES IHP HIGH PRESSURE HYDRAULIC CYLINDERS (LARGE BORE SERIES) INFORMATION GUIDE.
FOR SENSING OPTIONS CONTACT PENINSULAR.
*FOR PORT AND CUSHION POSITIONS, REFER TO THE HOW TO ORDER SERIES IHP HIGH PRESSURE HYDRAULIC CYLINDERS (LARGE BORE SERIES) INFORMATION GUIDE.



BORE SIZE	PENINSULAR "M" STYLE SHOWN			DIMENSIONS IN MILLIMETERS																							
	ROD DIAMETER	KK THD. SHORT MALE	A	B f9	CH	E	G PORT	NPT (INCHES)	FLANGE PORT	F	FB	G	J	PJ	R	RD f8	TF	UG	VD	VE	WF	WH	Y	ZB	ZJ		
250	140.0	M100 x 3	112.0	163.0	15.0	320.0	1 1/2"	2"	DN 51	25.0	30.0	94.0	94.0	216.0	235.0	280.0	380.0	445.0	58.0	83.0	110.0	85.0	157.0	505.0	420.0		
	160.0	M110 x 3	112.0	185.0																							
	180.0	M125 x 4	125.0	205.0																							
320	180.0	M125 x 4	125.0	205.0	15.0	400.0	1 1/2"	2 1/2"	DN 64	35.0	36.0	114.0	114.0	251.0	283.0	325.0	472.0	549.0	48.0	83.0	110.0	75.0	167.0	580.0	475.0		
	200.0	M140 x 4	140.0	225.0																							
	220.0	M160 x 4	160.0	245.0																							
360	180.0	M125 x 4	125.0	205.0	15.0	450.0	2"	2 1/2"	DN 64	42.0	39.0	124.0	124.0	296.0	305.0	350.0	528.0	611.0	41.0	83.0	110.0	68.0	172.0	640.0	530.0		
	220.0	M160 x 4	160.0	245.0																							
	250.0	M180 x 4	180.0	275.0																							
400	220.0	M160 x 4	160.0	245.0	15.0	500.0	2"	2 1/2"	DN 64	50.0	45.0	150.0	150.0	320.0	340.0	380.0	588.0	683.0	33.0	83.0	110.0	60.0	185.0	685.0	580.0		
	250.0	M180 x 4	180.0	275.0																							
	280.0	M200 x 4	200.0	305.0																							
500	280.0	M200 x 4	200.0	305.0	15.0	630.0	2"	2 1/2"	DN 64	70.0	56.0	200.0	200.0	400.0	425.0	490.0	740.0	858.0	13.0	83.0	110.0	40.0	210.0	825.0	710.0		
	320.0	M220 x 4	220.0	345.0																							
	360.0	M250 x 6	250.0	385.0																							



IHP 17 (MF5)

ISO 6020-3

** PER ISO 6162

27650 Groesbeck Highway Roseville Michigan 48066-2759 Telephone: 586-775-7211 Fax: 586-775-4545 MEMBER NFPA
Toll Free: 800-526-7968 Internet: <http://www.peninsularcylinders.com> Email: sales@peninsularcylinders.com



REL. 07-08-02