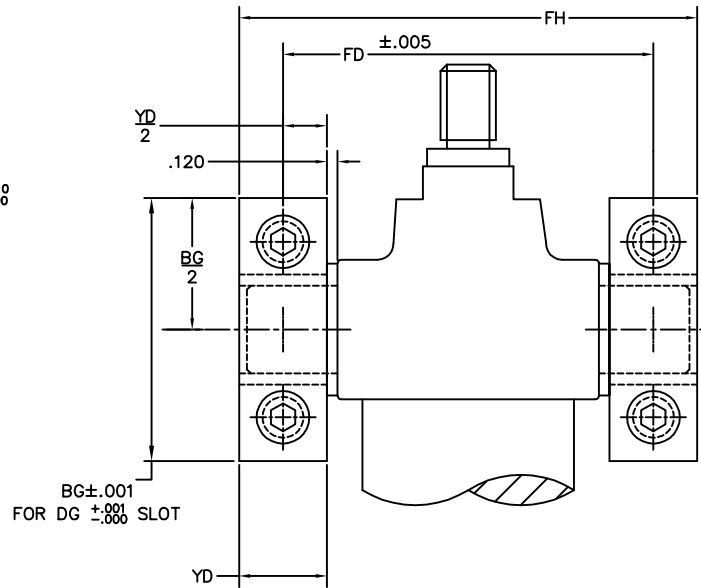
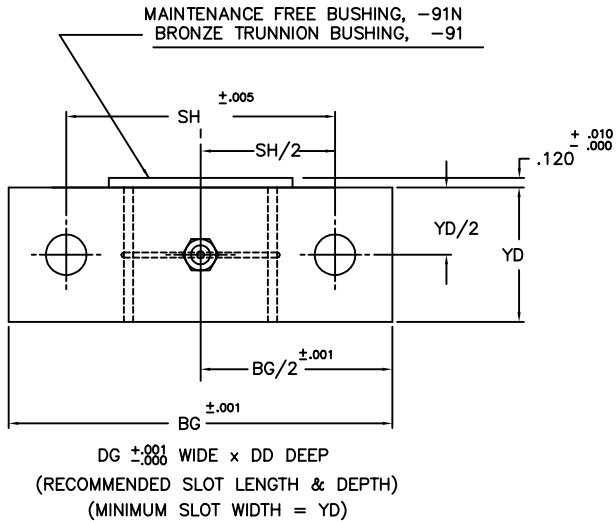
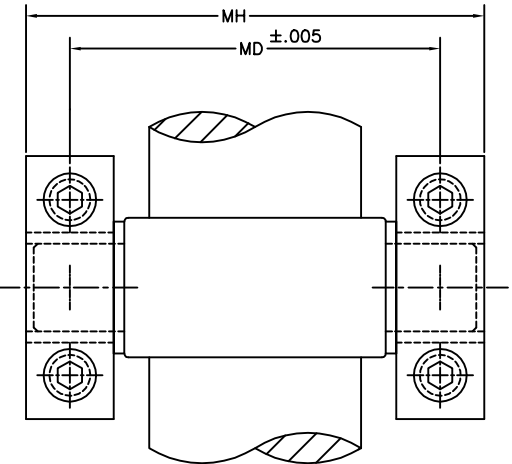


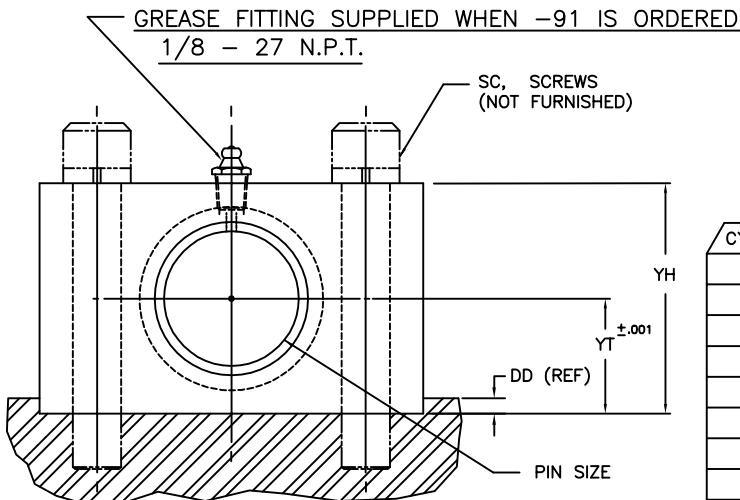
TRUNNION MOUNTING ASSEMBLY



FRONT TRUNNION CYLINDER with two (2) TRUNNION MOUNTING ASSEMBLIES



INTERMEDIATE TRUNNION CYLINDER with two (2) TRUNNION MOUNTING ASSEMBLIES



If the recommended "DG" x "DD" slot cannot be provided, another suitable means of preventing the Trunnion Assembly from moving with the push/pull forces of the cylinder MUST be utilized. The Trunnion Mounting Assembly should NEVER be rotated 90° from the position in the above drawing, because loosening of the mounting screws will occur as a result of the push/pull cylinder forces.

CYL. BORE	ORDER NO.	PIN SIZE	BG	DD	DG	FD	FH	MD	MH	SC	SH	YD	YH	YT
1.50	C1150-91	1.00	2.998	.125	3.000	3.250	4.25	3.750	4.75	.38	2.000	1.00	2.00	1.000
2.00	C1150-91	1.00	2.998	.125	3.000	3.750	4.75	4.250	5.25	.38	2.000	1.00	2.00	1.000
2.50	C1150-91	1.00	2.998	.125	3.000	4.250	5.75	4.750	5.75	.38	2.000	1.00	2.00	1.000
3.25	C1325-91	1.00	3.498	.125	3.500	5.000	6.00	5.750	6.75	.50	2.500	1.00	2.00	1.000
4.00	C1325-91	1.00	3.498	.125	3.500	5.750	6.75	6.500	7.50	.50	2.500	1.00	2.00	1.000
5.00	C1325-91	1.00	3.498	.125	3.500	6.750	7.75	7.500	8.50	.50	2.500	1.00	2.00	1.000
6.00	C1600-91	1.375	3.998	.188	4.000	8.125	9.50	9.250	10.62	.50	2.875	1.38	2.38	1.188
8.00	C1600-91	1.375	3.998	.188	4.000	10.125	11.50	11.375	12.75	.50	2.875	1.38	2.38	1.188
10.00	C11000-91	1.750	4.998	.250	5.000	12.625	14.38	14.000	15.75	.62	3.500	1.75	3.00	1.500



PENINSULAR® CYLINDER COMPANY

27650 Groesbeck Highway Roseville Michigan 48066-2759 Telephone: 586-775-7211 Fax: 586-775-4545
Toll Free: 800-526-7968 Internet: <http://www.peninsularcylinders.com> Email: sales@peninsularcylinders.com
REV. 14 APR 2003

